

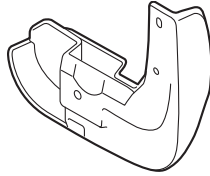


INSTALLATION INSTRUCTIONS

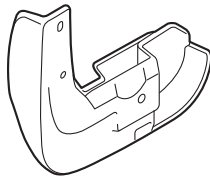
Accessory	Application	Publications No.
SPLASH GUARDS P/N 08P00-TS9-100	2015 CIVIC 2-DOOR (Si)	VERSION 1
		Issue Date SEP 2014

PARTS LIST

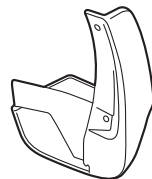
Left front splash guard



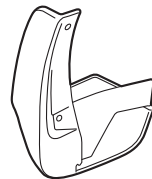
Right front splash guard



Left rear splash guard



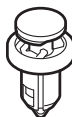
Right rear splash guard



10 Self-tapping screws



2 Clips



TOOLS AND SUPPLIES REQUIRED

Phillips screwdriver

Stubby Phillips screwdriver

Pushpin

High-quality paste wax

INSTALLATION

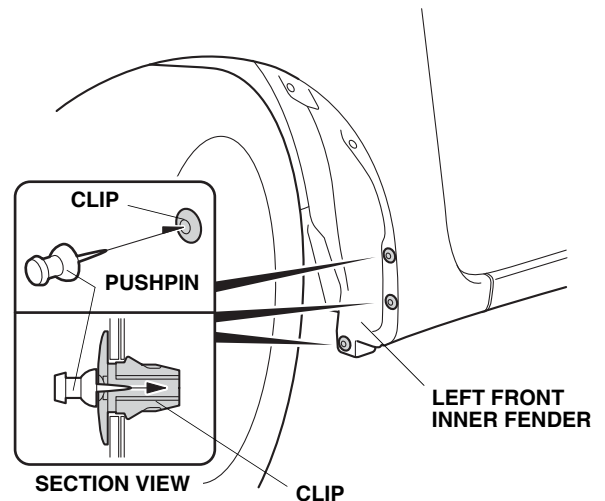
Customer Information: The information in this installation instruction is intended for use only by skilled technicians who have the proper tools, equipment, and training to correctly and safely add equipment to your vehicle. These procedures should not be attempted by “do-it-yourselfers.”

NOTE:

- Be careful not to damage the body paint finish.
- These instructions show the left splash guards being installed. The same procedure applies to installing the right splash guards.
- Clean and wax the areas to be covered with a high-quality paste wax.

Installing the Front Splash Guards

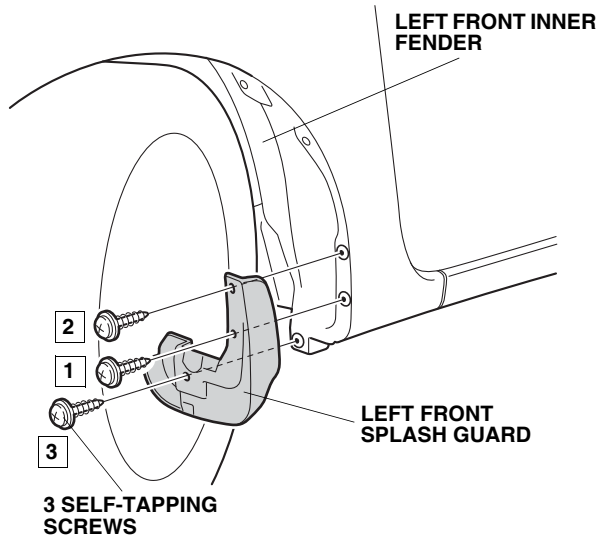
1. Turn the steering wheel fully counterclockwise.



2. Using a pushpin, pierce the center of the three clips on the left front inner fender.

- Secure the left front splash guard using three 5 x 25 mm self-tapping screws through the clips (pierced in step 2) in the order shown. Tighten the screws.

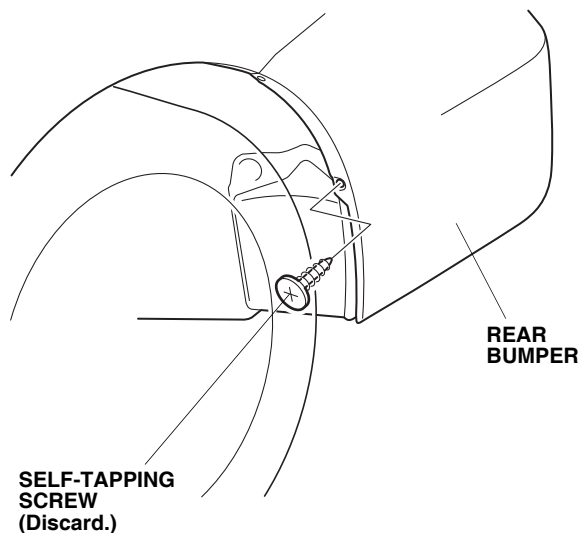
NOTE: Check that there is no gap between the left front splash guard and the vehicle body. If there is a gap, loosen the three self-tapping screws, hold the splash guard against the body, and retighten the self-tapping screws.



- Turn the steering wheel fully clockwise, and repeat steps 2 and 3 to install the right front splash guard on the right side of the vehicle.

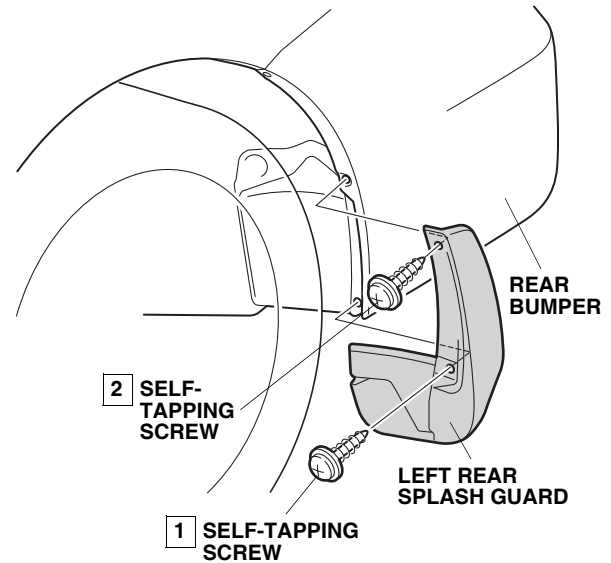
Installing the Rear Splash Guards

- Remove one self-tapping screw from the rear bumper.

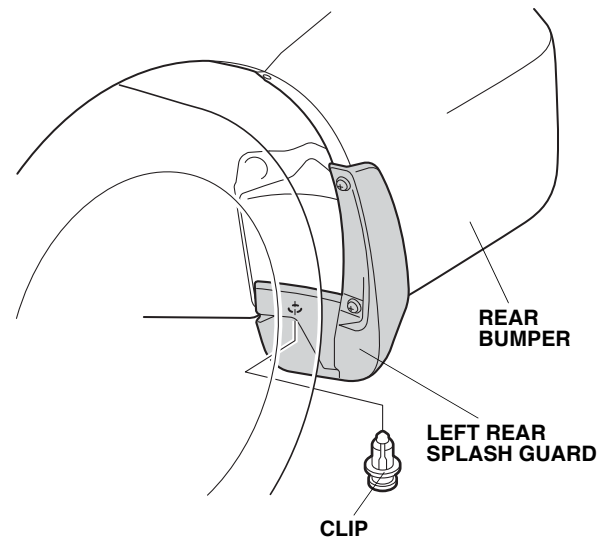


- Secure the left rear splash guard using two 5 x 25 mm self-tapping screws tightened in the order shown.

NOTE: Check that there is no gap between the left front splash guard and the vehicle body. If there is a gap, loosen the three self-tapping screws, hold the splash guard against the body, and retighten the self-tapping screws.



- Secure the left rear splash guard with one clip.



- Repeat steps 5 through 7 to install the right rear splash guard on the right side of the vehicle.